

CP-UNC-TA51PL3C-Y

5MP IR Network Bullet Camera - 30Mtr.

- 1/2.9" 5MP PS CMOS Image Sensor (0.8758 centimeters)
- Max. 5MP (2880 × 1620) @20fps
- Instastream, H.265 and H.264 dual-stream encoding
- DWDR, Day/Night (ICR), 3D DNR, ROI, AWB, AGC, BLC, HLC
- 3.6mm fixed lens (2.8mm Optional)
- Support Built-in Mic
- Support Motion Detection
- IR Range of 30 Mtrs, IP67, PoE
- Mobile Software: iCMOB, gCMOB
- CMS Software: KVMS Pro Lite



System Overview

With features of simple installation, easy operation, and high performance-cost ratio, This Series camera is applicable to small and medium-sized scenes, such as homes/residences, small-sized retail stores, and other small and medium-sized enterprises.

Functions

Power over Ethernet

This product uses the latest PoE technology to troubleshoot the occurrence of any issues in the system making it easier to use. With the help of this technology, your camera now only consumes energy directly from the power supply and doesn't require any mid-way switches.



CP-UNC-TA51PL3C-Y

5MP IR Network Bullet Camera - 30Mtr.

Functions

Instastream

This camera has been designed with the latest and most efficient innovation among the standard video compression designs. Smart encoding algorithms developed by CP PLUS help in saving up to 70% more bandwidth than H.265 along with making it more beneficial for minimizing bandwidth and storage costs. It enhances video coding efficiency while providing high resolution and the rate of frame in the video using Intelligent Region Perception to detect motion in each frame.

Live Viewing

Unlike some, this technology enables you to record the picture feed but view it live as well at your convenience. On top of that, the advantages of high-resolution video recording are numerous.

Regions of interest

Regions of Interest (ROI) is a user defined feature that allows the operator to monitor specific areas of a scene while still maintaining overall situational awareness of less important areas.

True Day/Night (ICR)

When the scene is too dark, the image is captured by illuminating an infrared light through the camera onto the scene that greatly helps with making the scene visible for the lens. It delivers color images during the day and automatically switches to the monochrome feature as the scene darkens.

gCMOB/ iCMOB

Designed to allow users to access and control live streaming from CP PLUS IP Cameras, DVRs/ NVRs and Video Door Phones, the CP PLUS gCMOB/ iCMOB application offers a host of features such as Easy GUI, up to 16 live viewing split-ups; InstaOn cloud support; Playback; digital zoom ins; two-way talk, and more.

KVMS Pro Lite

The KVMS Pro Lite is a hybrid security management software that allows the management of various surveillance devices such as cameras, DVRs/ NVRs, encoders/ decoders, etc. It is released with the surveillance hardware and exclusively supports CP PLUS devices.

About CP PLUS

The brand that is on its way to lead the world when it comes to the security and surveillance industry, CP PLUS, keeps bombarding the market with the most reliable range of products that have been designed carefully and methodically to automate the whole surveillance and security process, no matter how big your premises are.

It was the initiative to help the public in the area where they are the most vulnerable and to empower the sense of safety in our hearts that had conceptualized CP PLUS. And embarking on its mission to make the world a safer and more secure place has taken the brand's journey to unprecedented levels even when compared to international competitors.



CP-UNC-TA51PL3C-Y

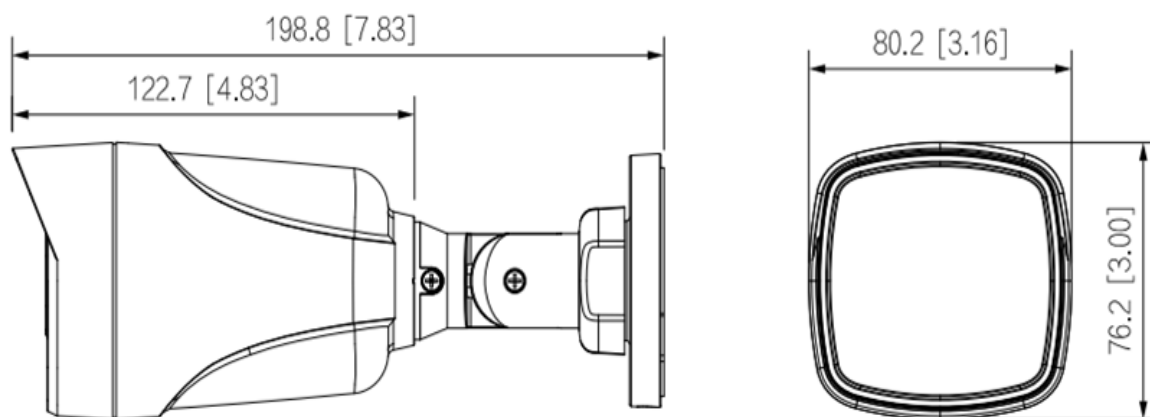
5MP IR Network Bullet Camera - 30Mtr.

Feature	Specification
Image Sensor	1/2.9" 5MP PS CMOS Image Sensor (0.8758 centimeters)
Minimum Illumination	0.03 lux@F2.0 (Color, 30 IRE), 0.003 lux@F2.0 (B/W, 30 IRE), 0 lux (IR on)
Effective Pixels	2880 (H) × 1620 (V)
Shutter Speed	Auto/Manual 1/3 s–1/100000 s
Angle Adjustment	Pan: 0°–360°, Tilt: 0°–90°, Rotation: 0°–360°
White Balance	Auto, natural, street lamp, outdoor, manual, regional custom
RAM	64 MB
ROM	16 MB
DORI Distance	Lens 3.6mm: 76.0m(Detect), 30.4m(Observe), 15.2m(Recognize), 7.6m(Identify) Lens 2.8mm: 66.0m(Detect), 26.4m(Observe), 13.2m(Recognize), 6.6m(Identify)
Gain Control(AGC)	Auto/Manual
Lens Type	Fixed-focal
Max. Aperture	F2.0
Close Focus Distance	3.6mm: 1.3m, 2.8mm: 1.0m
Lens	3.6mm Fixed Lens (2.8mm Optional)
Lens Mount	M12
stream Capability	Dual streams
Back Light Compensation	BLC/ HLC/ DWDR
Angle of View	3.6mm: H: 78°, V: 43°, D: 92° 2.8mm: H: 92°, V: 50°, D: 107°
Encode Strategy	Instastream, H.264+
S/N Ratio	>56dB
Video Compression	H.265, H.264, H.264H, H.264B, MJPEG (Only supported by the sub stream)
Frame Rate	Main stream: 5MP(2880×1620)1 fps–20 fps, (2688×1520)1 fps–25/30 fps Sub stream: D1(704×576)@1–25 fps /(704×480)@1–30 fps
Image Rotation	0°/180°

Feature	Specification
Resolution	5MP (2880×1620), 4MP (2560×1440), 3M (2048×1536), 2M (1920×1080), 1.3M (1280×960), 1M (1280×720), D1 (704×576/ 704×480), VGA (640×480), CIF (352×288 / 352×240)
Motion detection	OFF/ON (4 areas, rectangular)
Privacy Mask	4 areas
Noise Reduction	3D DNR
ROI	Support (4 areas)
Audio Compression	G.711a, G.711Mu, PCM, G.726, AAC
Bit Rate Control	CBR/VBR
Bit Rate	H.265: 12 kbps–6144 kbps, H.264: 32 kbps–6144 kbps
Protocol	IPv4, IPv6, HTTP, TCP, UDP, ARP, RTP, RTSP, RTCP, RTMP, SMTP, FTP, DHCP, DNS, DDNS, NTP, Multicast, ICMP, IGMP, ONVIF (Profile S/ Profile T), CGI
SDK and API	Support
Day/Night	Auto(ICR)/Color/B/W
Ethernet	RJ-45 (10/100Base-T)
Alarm Event	Network disconnection, IP conflict, illegal access, motion detection, video tampering, audio detection, security exception
Cyber Security	Configuration encryption, Trusted execution, Digest, Security logs, HTTPS, Trusted upgrade, WSSE, Trusted boot, Account lockout, Generation and importing of CA certification, Video encryption
Iris Control	Fixed
User/Host	6 Users (Total bandwidth: 24 M)
IR	IR Range of 30 Mtr.,
Browser	IE, Chrome, Firefox
IR Control	Auto, Manual
Smart Phone	iPhone, iPad, Android Phone
Mirror Function	Support
Audio	Built-in Mic
IR Number	2 IR LED
Smart IR	Support
Weatherproof Standard	IP67

Feature	Specification
Power Source	12 VDC/PoE (802.3af)
Power Consumption	<4.5W
Operating Temperature	-40°C to +60°C (-40°F to +140°F)
Operating Humidity	≤95%(RH), non-condensing
Dimension	198.9mm × 80.2mm × 76.2mm
Casing	Plastic
Weight	0.26kg

Dimensions (mm/inch)



Company Name:

CP PLUS (Aditya Infotech Ltd.)

F-28 Okhla Industrial Area, Phase 1,

New Delhi 110020, INDIA

Contact Mail ID :- customercare@cpplusworld.com

