

CP-UNC-VE51L5E-VMDS-V2

5MP WDR IR Network Vandal Dome Camera - 50Mtr.

- 1/2.7" 5MP PS CMOS Image Sensor (0.9407 centimeters)
- Max output 5MP (2592 × 1944)@25/30 fps
- Instastream, H.265, H.264, H.264, H.264H, H.264B, MJPEG Quad Stream encoding
- WDR(120dB), Day/Night (ICR), 3D DNR, Defog, ROI, AWB, AGC, BLC, HLC
- IR Range of 50 Mtrs.
- Support Built-in Mic
- 3.6mm fixed lens (2.8mm, 6mm Optional)
- Support Micro SD Card, IP67, IK10, PoE, SMD
- Mobile Software: iCMOB, gCMOB
- CMS Software: KVMS Pro Lite



System Overview

Understanding the need of the hour in the security and surveillance industry, this series has been integrated with the starlight technology along with efficient and powerful deep-learning algorithms to make your life hugely easier. The numerous AI-based smart functions of this camera let you capture a face, protect the perimeter and even count people, greatly improving the accuracy of your video analysis. This camera also complies with international certification standards such as IP67 and IK10, as this camera is not just dust-proof and water-proof but also shock-proof and vandal-proof

Functions

Power over Ethernet

This product uses the latest PoE technology to troubleshoot the occurrence of any issues in the system making it easier to use. With the help of this technology, your camera now only consumes energy directly from the power supply and doesn't require any mid-way switches.



CP-UNC-VE51L5E-VMDS-V2

5MP WDR IR Network Vandal Dome Camera - 50Mtr.

Functions

Wide Dynamic Range (WDR)

When a scene is partly dark and partly bright, that is the dynamic range that distorts images due to this difference in the lighting. WDR technology provides you balanced lighting for a clear and vivid image throughout the day. WDR technology can be installed at entry/exit points of any building structure, jewellery shops, outdoor location among so many other places.

Live Viewing

Unlike some, this technology enables you to record the picture feed but view it live as well at your convenience. On top of that, the advantages of high-resolution video recording are numerous.

Smart Analytical Support

Using an advanced algorithm, smart analytical technology lets you set a multitude of safety parameters and sends you alerts when any of those parameters have been compromised. Not just when there's an occurrence of tripwire or intrusion, but also in the cases of missing or abandoned objects.

True Day/Night (ICR)

When the scene is too dark, the image is captured by illuminating an infrared light through the camera onto the scene that greatly helps with making the scene visible for the lens. It delivers color images during the day and automatically switches to the monochrome feature as the scene darkens.

Regions of Interest

Regions of Interest (ROI) is a user defined feature that allows the operator to monitor specific areas of a scene while still maintaining overall situational awareness of less important areas.

gCMOB/ iCMOB

Designed to allow users to access and control live streaming from CP PLUS IP Cameras, DVRs/ NVRs and Video Door Phones, the CP PLUS gCMOB/ iCMOB application offers a host of features such as Easy GUI, up to 16 live viewing split-ups; InstaOn cloud support; Playback; digital zoom ins; two-way talk, and more.

About CP PLUS

The brand that is on its way to lead the world when it comes to the security and surveillance industry, CP PLUS, keeps bombarding the market with the most reliable range of products that have been designed carefully and methodically to automate the whole surveillance and security process, no matter how big your premises are.

It was the initiative to help the public in the area where they are the most vulnerable and to empower the sense of safety in our hearts that had conceptualized CP PLUS. And embarking on its mission to make the world a safer and more secure place has taken the brand's journey to unprecedented levels even when compared to international competitors.



CP-UNC-VE51L5E-VMDS-V2

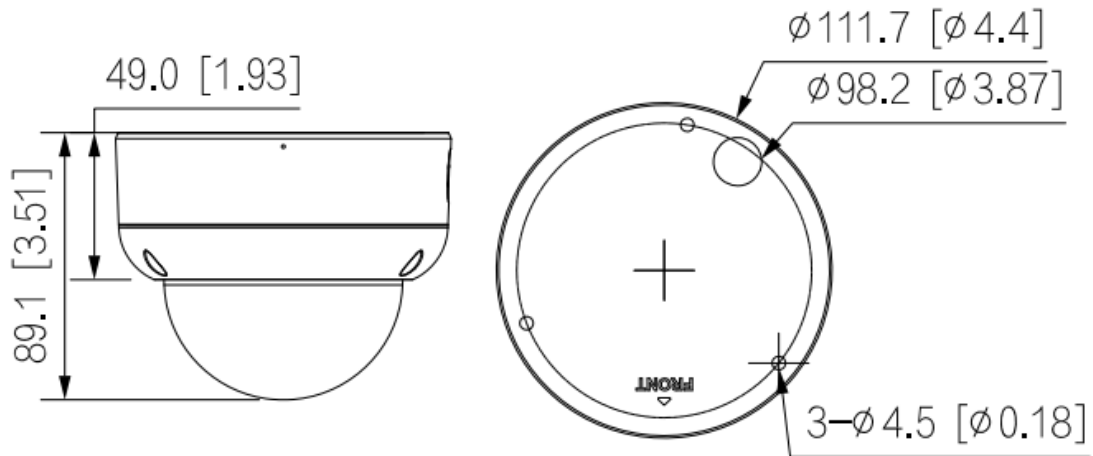
5MP WDR IR Network Vandal Dome Camera - 50Mtr.

Feature	Specification
Image Sensor	1/2.7" 5MP PS CMOS Image Sensor (0.9407 centimeters)
Minimum Illumination	0.005 lux@F1.4 (Color, 30 IRE), 0.0005 lux@F1.4 (B/W, 30 IRE), 0 lux (IR on)
Effective Pixels	2592 (H) × 1944 (V)
Angle Adjustment	Pan: 0°–355°, Tilt: 0°–80°, Rotation: 0°–355°
Shutter Speed	Auto/Manual 1/3 s–1/100000 s
White Balance	Auto, Natural, Street lamp, Outdoor, Manual, Regional custom
RAM	1 GB
ROM	128 MB
DORI Distance	Lens 3.6mm: 85.4m (Detect), 34.2m (Observe), 17.1m (Recognize), 8.5m (Identify) Lens 2.8mm: 63.6m (Detect), 25.4m (Observe), 12.7m (Recognize), 6.4m (Identify) Lens 6mm: 124.0m (Detect), 49.6m (Observe), 24.8m (Recognize), 12.4m (Identify)
Gain Control(AGC)	Auto
Lens Type	Fixed-focal
Max. Aperture	F1.4
Close Focus Distance	3.6 mm: 1.7 m, 2.8 mm: 1.1 m, 6 mm: 3.3 m
Lens	3.6mm lens (2.8mm, 6mm optional)
Lens Mount	M12
Angle of View	3.6mm:Horizontal:80°, Vertical:57°, Diagonal:107°; 2.8mm:Horizontal:97°, Vertical:71°, Diagonal:129°; 6mm:Horizontal:50°, Vertical:37°, Diagonal:64°
Video Compression	H.265, H.264, H.264H, H.264B, MJPEG (only supported by the sub stream)
S/N Ratio	>56 dB
Back Light Compensation	BLC / HLC / WDR(120dB)
Encode Strategy	Instastream, H.264+
stream Capability	Quad Stream
IR Number	3 IR LED
IR	IR Range of 50 Mtr.

Feature	Specification
Resolution	5M (2592 × 1944), 4M (2688 × 1520), 3.6M (2560 × 1440), 3M (2048 × 1536), 3M (2304 × 1296), 2M (1920 × 1080), 1.3M (1280 × 960), 720p (1280 × 720), D1 (704 × 576/704 × 480), CIF (352 × 288/352 × 240), VGA (640 × 480)
Noise Reduction	3D DNR
Frame Rate	Main stream: 2592 × 1944 @ (1–25/30) fps Sub stream 1: 704 × 576 @ (1–25 fps)/704 × 480 @ (1–30 fps) Sub stream 2: 1920 × 1080 @ (1–25/30 fps) Sub stream 3: 1280 × 720 @ (1–25/30 fps)
Motion detection	Off/On (4 areas, rectangular)
Privacy Mask	8 Areas
ROI	Support (4 areas)
Audio	Built-in Mic
Audio Input	1 Channel (RCA port)
Audio Output	1 Channel (RCA port)
Audio Compression	G.711a, G.711Mu, PCM, G.726, G.723
Alarm IN	1 Channel in: 5 mA 3–5 VDC
Alarm Out	1 Channel out: 300 mA 12 VDC
Bit Rate Control	CBR/VBR
Bit Rate	H.265: 3 kbps–8192 kbps, H.264: 3 kbps–8192 kbps
Protocol	IPv4, IPv6, HTTP, TCP, UDP, ARP, RTP, RTSP, RTCP, RTMP, SMTP, FTP, SFTP, DHCP, DNS, DDNS, QoS, UPnP, NTP, Multicast, ICMP, IGMP, NFS, PPPoE, SNMP, ONVIF (Profile S/Profile G/Profile T), CGI, InstaOn, Milestone, Genetec
IntelliSearch	Work together with Smart NVR to perform refine intelligent search, event extraction and merging to event videos
Day/Night	Auto (ICR)/Color/B/W
Alarm Event	No SD card, SD card full, SD card error, network disconnection, IP conflict, illegal access, Motion detection, Video tampering, Tripwire, Intrusion, Scene changing, Audio detection, Voltage detection, External alarm, Face detection, SMD and security exception
Cyber Security	Video encryption, Firmware encryption, Configuration encryption, Digest, WSSE, Account lock-out, Security logs, IP/MAC filtering, Generation and importing of X.509 certification, syslog, HTTPS, 802.1x, Trusted boot, Trusted execution, Trusted upgrade
SMD	SMD 3.0 Less false alarm, longer detection distance
Mirror Function	Support
IR Control	Auto/Manual
Smart IR	Support

Feature	Specification
Face Detection	Face detection, Track, Snapshot, Snapshot optimization, Optimal face snapshot upload, Face enhancement, Face exposure, Face snapshot set as face or one-inch photo, 3 snapshot strategies (real-time snapshot, optimization snapshot, and quality priority), Face angle filter, optimization time setting
SDK and API	Support
Ethernet	RJ-45 (10/100 Base-T)
User/Host	20 (Total bandwidth: 64 M)
IVS (Perimeter Protection)	Tripwire, intrusion (support the classification and accurate detection of vehicle and human)
Image Rotation	0°/90°/180°/270° (support 90°/270° with 2688×1520 Resolution and lower)
Intelligent Scene Adaption (ISA)	Support
Defog	Support
Power Source	12 VDC/PoE (802.3af)
Power Consumption	Basic: 3 W (12 VDC); 4.1 W (PoE) Max. (WDR + IR intensity + Intelligence): 5.9 W (12 VDC); 7 W (PoE)
Weatherproof Standard	IP67 & IK10
Iris Control	Fixed
Browser	IE:IE11, Chrome, Firefox
Smart Phone	iPhone, iPad, Android Phone
Storage	FTP, SFTP, Micro SD card (support max. 256 G), NAS
Operating Temperature	-40°C to +60°C (-40°F to 140°F)
Operating Humidity	Less than 95% RH
Storage Temperature	-40°C to +60°C (-40°F to 140°F)
Dimension	89.1 mm × 111.7 mm
Casing	Metal
Weight	0.516 g

Dimensions (mm/inch)



Company Name:

CP PLUS (Aditya Infotech Ltd.)
F-28 Okhla Industrial Area, Phase 1,
New Delhi 110020, INDIA

Contact Mail ID :- customercare@cpplusworld.com