

PT-DR1A16G-K1

HD-TVI DVR Series



Key Feature

- H.265 Pro+/H.265 Pro/H.265 video compression
- HDTVI/AHD/CVI/CVBS/IP video input
- Up to 18-ch IP camera input (up to 5 MP)
- Max. 800 m for 1080p and 1200 m for 720p HDTVI signal transmission
- Up to 10 TB capacity per HDD



Compression and Recording

- H.265 Pro+ video compression improves encoding efficiency and reduces data storage costs
- Full channel recording at up to 1080p lite resolution

Storage and Playback

- Smart search for efficient playback

Network & Ethernet Access

- DDNS (Dynamic Domain Name System) for easy network management
- 96 Mbps total bandwidth

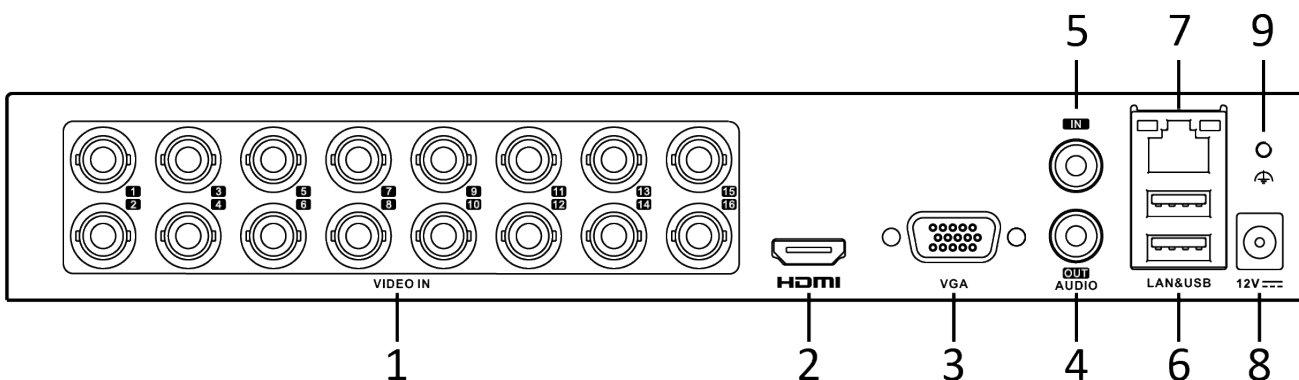
Specification

| | |
|-----------------------------|---|
| Model | PT-DR1A16G-K1 |
| Recording | |
| Video compression | H.265 Pro+/H.265 Pro/H.265/H.264+/H.264 |
| Encoding resolution | 1080p lite/720p/VGA/WD1/4CIF/CIF |
| Frame rate | <p>Main stream: For 1080p stream access: 1080p lite/720p lite/WD1/4CIF/VGA@15 fps; CIF@25 fps (P)/30 fps (N) For 720p stream access: 720p/WD1/4CIF/VGA@15 fps; CIF@ 25fps (P)/30 fps (N) For standard definition stream access: WD1/4CIF/VGA/CIF@25 fps (P)/30 fps (N)</p> <p>Sub-stream: For 1080p and 720p stream access: CIF/QVGA@15 fps For standard definition stream access: CIF/QVGA@25 fps (P)/30 fps (N)</p> |
| Video bit rate | 32 Kbps to 4 Mbps |
| Dual stream | Support |
| Stream type | Video, Video & Audio |
| Audio compression | G.711u |
| Audio bit rate | 64 Kbps |
| Video and Audio | |
| IP video input | 2-ch (up to 18-ch) Up to 5 MP resolution Support H.265+/H.265/H.264+/H.264 IP cameras |
| Analog video input | 16-ch BNC interface (1.0 Vp-p, 75 Ω) |
| HDTVI input | 1080p25, 1080p30, 720p25, 720p30 |
| AHD input | 1080p25, 1080p30, 720p25, 720p30 |
| HDCVI input | 1080p25, 1080p30, 720p25, 720p30 |
| CVBS input | PAL/NTSC |
| HDMI/VGA output | 1-ch, 1920 × 1080/60Hz, 1280 × 1024/60Hz, 1280 × 720/60Hz, 1024 × 768/60Hz HDMI/VGA simultaneous output |
| Audio input | 1-ch RCA (2.0 Vp-p, 1 KΩ) |
| Audio output | 1-ch, RCA (Linear, 1 KΩ) |
| Two-way audio | 1-ch, RCA (2.0 Vp-p, 1 KΩ) (using the audio input) |
| Synchronous playback | 16-ch |
| Network | |
| Remote connections | 128 |
| Network protocols | TCP/IP, PPPoE, DHCP, DNS, DDNS, NTP, SADP, NFS, iSCSI, UPnP™, HTTPS |
| Network interface | 1, RJ45 10/100 Mbps self-adaptive Ethernet interface |
| Auxiliary interface | |
| SATA | 1, SATA interface |
| Capacity | Up to 10 TB capacity for each disk |
| USB interface | Rear panel: 2 × USB 2.0 |

| General | |
|---------------------------|-----------------------------------|
| Power supply | 12 VDC, 1.6 A |
| Consumption (without HDD) | ≤ 7 W |
| Working temperature | -10 °C to 55 °C (14 °F to 131 °F) |
| Working humidity | 10% to 90% |

*Specifications are subject to change without prior notice. *Product picture may differ from the actual.

Physical Interfaces



| No. | Description | No. | Description |
|-----|--------------------|-----|-----------------------|
| 1 | Video and Audio in | 6 | USB Interface |
| 2 | HDMI Interface | 7 | LAN Network Interface |
| 3 | VGA Interface | 8 | 12 VDC Power Input |
| 4 | AUDIO OUT | 9 | GND |
| 5 | AUDIO IN | | |

Available Model

PT-DR1A16-K1